

LED

**LED High Bay
mini Genko**



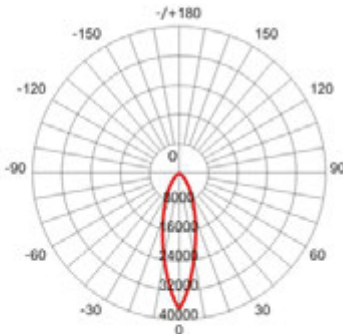
IP54

MW
MEAN WELL
LED DRIVER

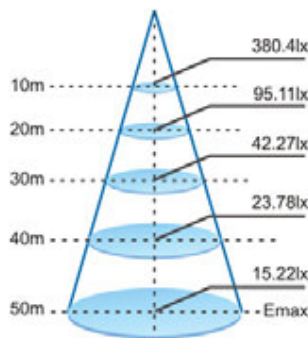
OSRAM
LED CHIP

Prospective design

Light distribution curve



Illumination curve



1. Fixed by rotatory buckle, easily installed without tools

The reflector could be disassembled and transported separately; with small size heaksink, is able to reduce at least 50% of the freight charges under the same conditions.

2. Two types cover option

Frosted & transparent PC cover, with high light transmittance, good flame-retardance, wear-resistance and oxidation resistance.

3. Curved design for better heat dissipation performance

The curved design increase the cooling area that dissipate the heat quickly.

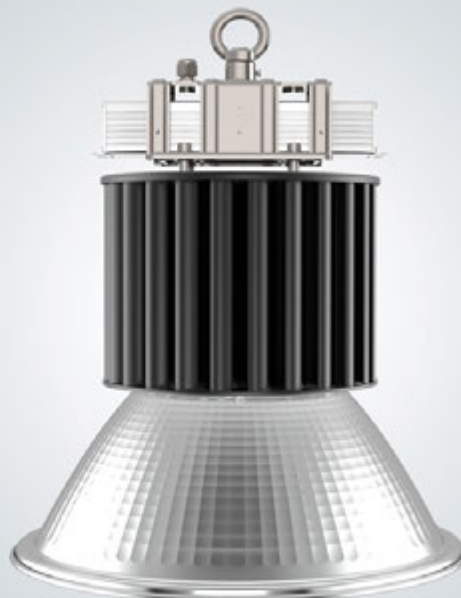
4. Supporting for both Square and Round Power Supply

It is adaptive to most of the square and round shape driver in the market. For square driver, should no more than 72mm wide and 47mm high.

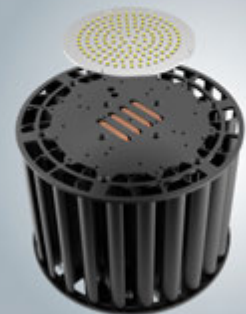
The HDT technology



Round driver box version

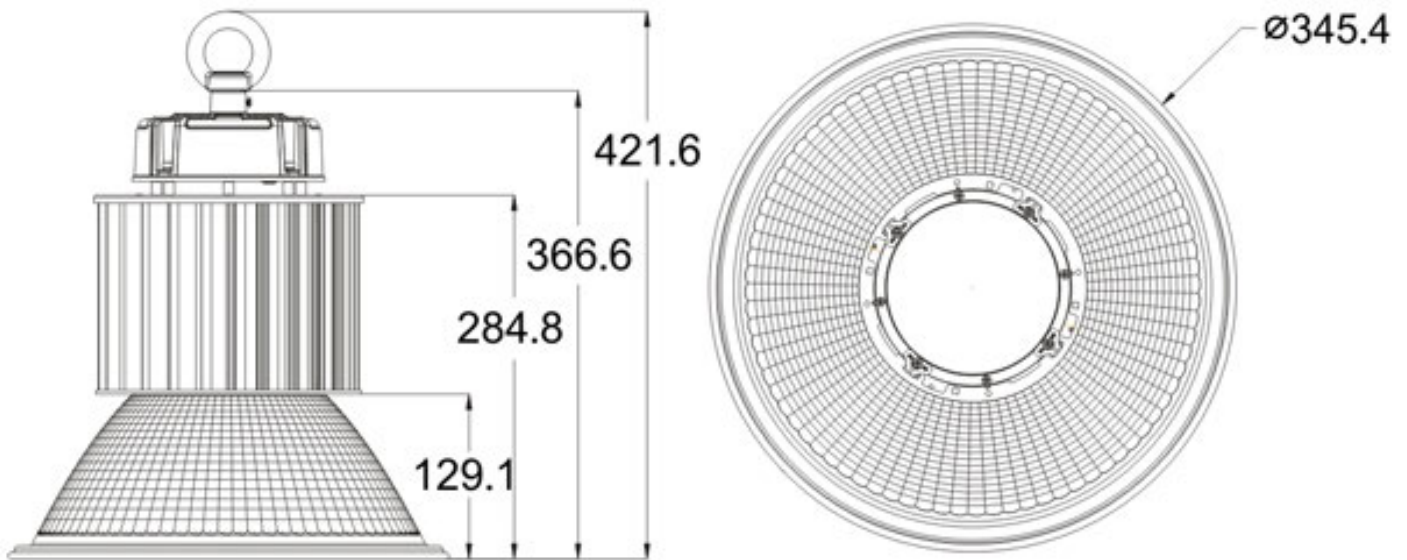


Square driver supply version



• Pure copper heatpipe

Dimension



ELG series

Specifications

Model	HB0010-0100	HB0010-0150	HB0010-0200
Product Name	Highbay mini Genko100W	Highbay mini Genko 150W	Highbay mini Genko 200W
Luminous Flux	12000-13000 LM	18000-19500 LM	24000-26000 LM
LED QTY	280 LEDs	280 LEDs	280 LEDs
Driver	ELG-100-48	ELG-150-48	ELG-200-48
Dimensions	345.4mm x 421.6mm	345.4mm x 421.6mm	345.4mm x 421.6mm
LED Chip type	SMD 3030	Working Voltage	AC 100-240V
Lumen / Watt	120-130 lm/w	THD	≤15%
CRI	≥80	Power factor	≥0.95
Beam Angle	60°, 90°, 110°	IP Level	IP54
Material	Aluminium	Life Time	≥50000 Hrs
Color Temp	Warmwhite : 3200K	Coolwhite : 4500K	Daylight : 6000K
Chip Band	OSRAM	Driver	MW MEAN WELL ELG series