

LED

**LED High Bay
Genko GEN.2**

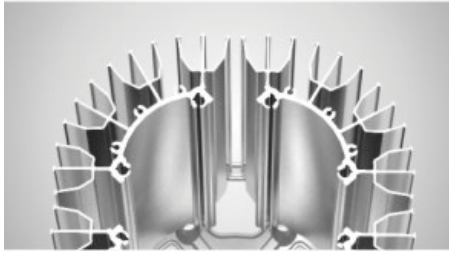


IP54

MW
MEAN WELL
LED DRIVER

OSRAM
LED CHIP

Prospective design



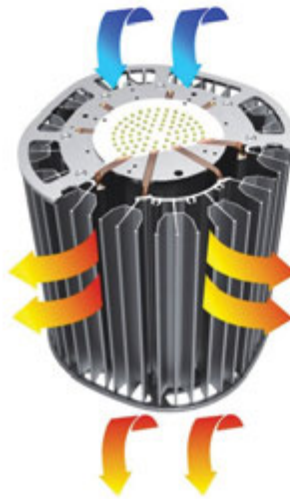
Modular Heatsink



Tube or hook connector



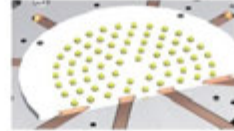
Protection surface treatment



Closed design lampshade

3-D heat dissipation

Professional heat dissipation structure design. Modular heatsink with perfect structure and inside airflow channels maxim the 3D heat dissipation.

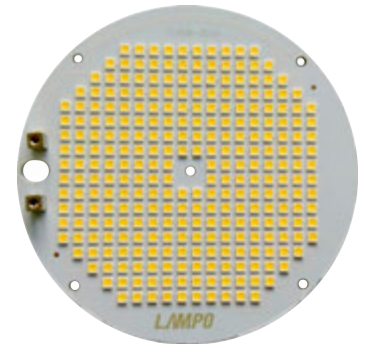


HDT technology

high efficient heatpipes contact the heat source directly, maxima the performance of the heatpipe to reach the cooling effect.

Compressed Fins Technology

Pccooler's creative Compressed Fins Technology: rivet the heatpipe to heatsink body closely, minimize the heat resistance, greatly improve the heat dissipation effect, and it is much lighter compared with similar products.

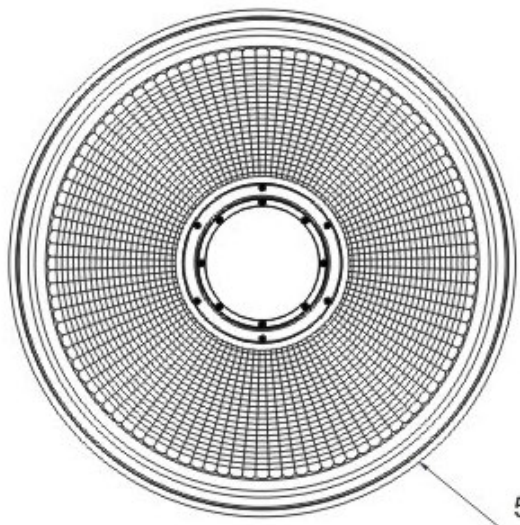


OSRAM
DURIS S 5

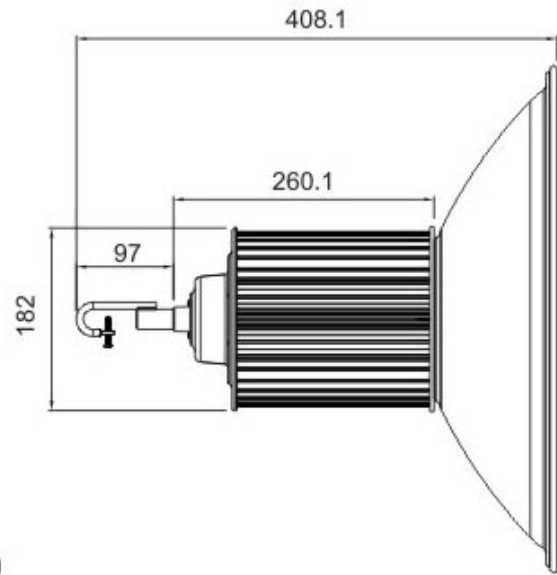
Specifications

Model	HB0009-B100 HB0009-G100	HB0009-B150 HB0009-G150	HB0009-B200 HB0009-G200
Product Name	LED High Bay GENKO Gen.2 100W Black LED High Bay GENKO Gen.2 100W Gray	LED High Bay GENKO Gen.2 150W Black LED High Bay GENKO Gen.2 150w Gray	LED High Bay GENKO Gen.2 200W Black LED High Bay GENKO Gen.2 200w Gray
Luminous Flux	12000-13000 LM	18000-19500 LM	24000-26000 LM
LED QTY	280 LEDs	280 LEDs	280 LEDs
Driver	ELG-100-48	ELG-150-48	ELG-200-48
Dimensions	Ø505.4 x 408.1mm	Ø505.4 x 555.7mm	Ø505.4 x 555.7mm
LED Chip type	SMD 3030	Working Voltage	AC 100-240V
Lumen / Watt	120-130 lm/w	Total Harmonic Distortion	≤15%
CRI	≥80	Power factor	≥0.95
Beam Angle	60°, 90°, 110°	IP Level	IP54
Material	Aluminium	Life Time	≥50000 Hrs
Color Temp	Warmwhite : 3200K	Coolwhite : 4500K	Daylight : 6000K
Chip Band	OSRAM	Driver	MW MEAN WELL ELG series

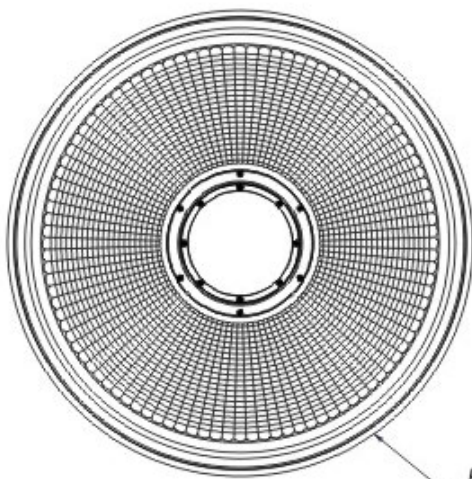
Dimension



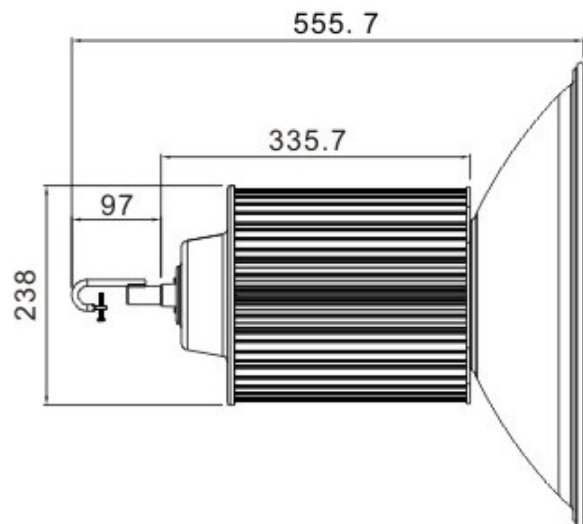
505.4mm



High Bay GENKO Gen.2 100W

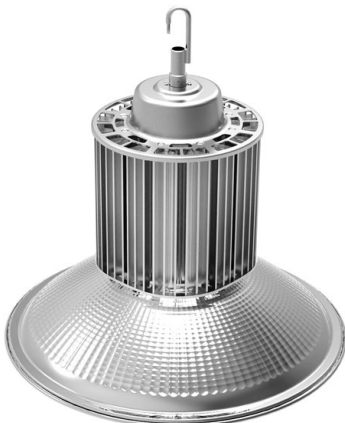


505.4mm



High Bay GENKO Gen.2 150W

High Bay GENKO Gen.2 200W



GENKO Gen.2 100w



GENKO Gen.2 150w



GENKO Gen.2 200w